

TO SET DOSAGE:

Squeezing the handle slightly, set the injector to the desired dosage amount as indicated in the dosage setting window by turning the dosage adjuster. A slight squeezing pressure will help ease each dosage adjustment.

LUBRICATION:

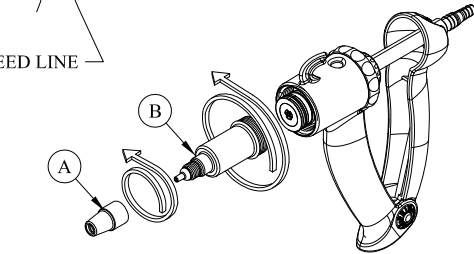
If injector becomes sluggish, clean thoroughly using the cleaning instructions. You will need to remove the barrel assembly, clean and apply a couple of drops of Prima Tech lubricant to the piston o-ring. Many times, product failure is due to insufficient cleaning. See cleaning instructions.

CLEANING INSTRUCTIONS

1.) **LINE CLEANING:** Before disassembling the injector for cleaning, clean the line. Partially fill a sink or small container with hot, soapy water. Hold the spike underneath the water in one hand while holding the injector in the other. Continuously squeeze the injector, pumping water through it until clean. To rinse, repeat with clean water.

REMOTE
DRAW-OFF
SPIKE

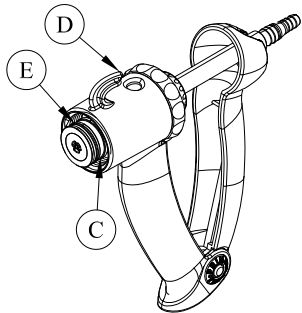
FEED LINE



2.) **BARREL REMOVAL:** Unscrew the needle nut (A) from the barrel (B). Next, unscrew the barrel from the injector. Wash all the parts in hot, soapy water, then rinse. Use the brush from our optional cleaning kit to remove any remaining contaminants from the barrel.

3.) **HANDLE CLEANING:** Remove the feedline from the injector. At this point, the remaining handle assembly (D) should be washed or allowed to soak in hot soapy water, then rinsed and allowed to dry. Before reinstalling the barrel assembly, apply 1 or 2 drops of Prima Tech lubricant to the piston o-ring (E) and felt wiper ring (C).

4.) **REASSEMBLY:** Reinstall the needle nut (A) onto the barrel (B) and reinstall the barrel onto the handle assembly (D). **HAND TIGHTEN ONLY! DO NOT USE TOOLS TO TIGHTEN BARREL AS THIS MAY CAUSE BARREL BREAKAGE!**



!!CAUTION!! DO NOT OVER TIGHTEN NEEDLE NUT! FINGER TIGHTEN ONLY! OVERTIGHTENING CAN CAUSE BARREL BREAKAGE! DO NOT PLACE ANY PART OF THE INJECTOR IN A MICROWAVE OVEN OR NEAR A HEAT SOURCE!

*PRIMA TECH
CLEANING KIT
PART# 341013

Prima Tech instruction form #340245-A
English 12-2017

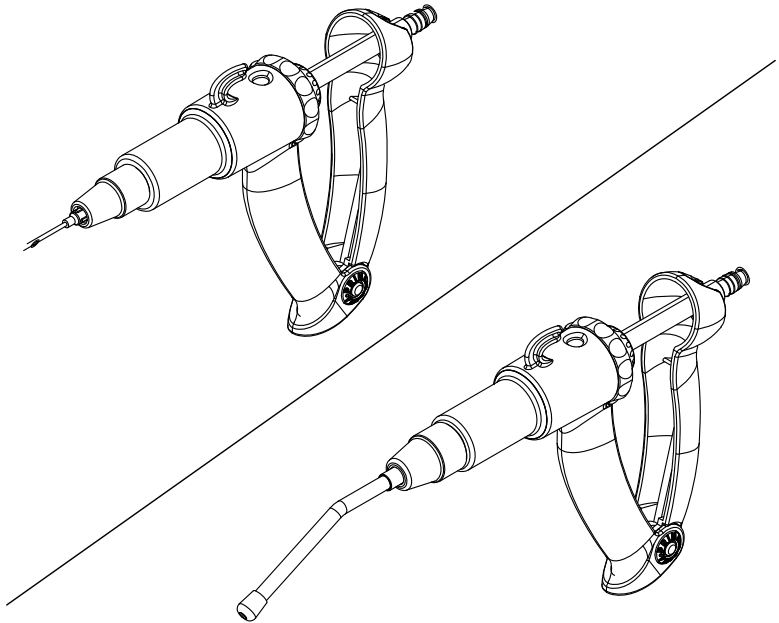


Neogen Corporation
944 Nandino Blvd • Lexington, KY 40511
800-525-2022 • 859-254-1221

www.neogen.com

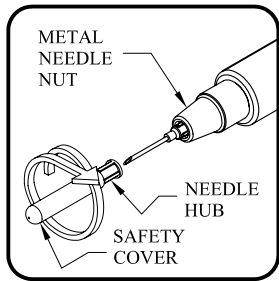
INSTRUCTION MANUAL

INJECTOR



English 12-2017

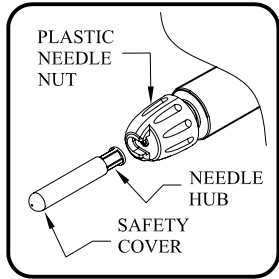
INSTRUCTIONS FOR USE



TO FIT NEEDLE WITH METAL LUER NEEDLE NUT:

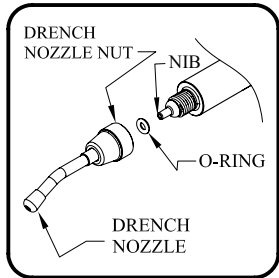
*Some units are equipped with a plastic "T"-slot type needle nut. If your injector has this type of needle nut, please use the instructions under the next section.

- 1.) For safety, leave protective cover on needle until ready to prime injector.
- 2.) Make sure metal needle nut is finger tight. **DO NOT TIGHTEN WITH PLIERS OR OTHER TOOLS. THIS CAN CAUSE BARREL BREAKAGE.**
- 3.) Push needle hub into needle nut and twist clockwise until needle locks in place. Remove safety cover when ready to prime injector by continuing to twist clockwise. The safety cover will twist off, exposing the needle. (KEEP COVER FOR NEEDLE REMOVAL.)
- 4.) To remove needle. Replace safety cover onto needle and twist counter-clockwise. Needle will twist out. Discard needle in bio-safe container. **DO NOT REMOVE NEEDLE NUT TO REMOVE NEEDLE. THE NEEDLE NUT WILL STAY IN PLACE.**



TO FIT NEEDLE WITH PLASTIC NEEDLE NUT:

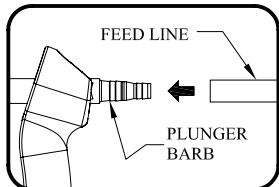
- 1.) For safety leave protective cover on needle until ready to prime injector.
- 2.) Loosen plastic needle nut until nib is below cut-out "T"-slot section as shown.
- 3.) Insert needle base into cut-out "T"-slot section and screw needle nut firmly onto barrel. **DO NOT TIGHTEN WITH PLIERS OR OTHER TOOLS. THIS CAN CAUSE BARREL BREAKAGE.**
- 4.) Remove safety cover when ready to prime vaccinator by twisting safety cover clockwise. The safety cover will twist off, exposing the needle.
- 5.) To remove needle. Replace safety cover onto needle. Partially unscrew needle nut until needle can be removed. Discard needle in bio-safe container.



TO ASSEMBLE/CLEAN DRENCHER NOZZLE:

* Some injectors are equipped with a removable nozzle for drenching applications. These units are not supplied with a needle nut, but a drench nozzle only. If your unit is so equipped, please use the cleaning and assembly instructions below.

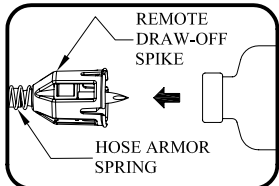
- 1.) To remove the drencher for cleaning, unscrew the drench nozzle nut from the barrel.
- 2.) Inside, you will find a small o-ring. The o-ring should stay in place, but can fall out. Take care not to lose the o-ring.
- 3.) After cleaning with hot soapy water & rinsing, apply a small drop of food-grade lubricant (provided in the optional Prima Tech cleaning kit) to the o-ring to prevent dry rot and keep it in place.
- 4.) Make sure o-ring is in place and screw the drench nozzle nut back onto the injector. **HAND-TIGHTEN ONLY. DO NOT TIGHTEN WITH PLIERS OR OTHER TOOLS. THIS CAN CAUSE BARREL BREAKAGE.**



TO ATTACH BOTTLE USING REMOTE DRAW-OFF SPIKES:

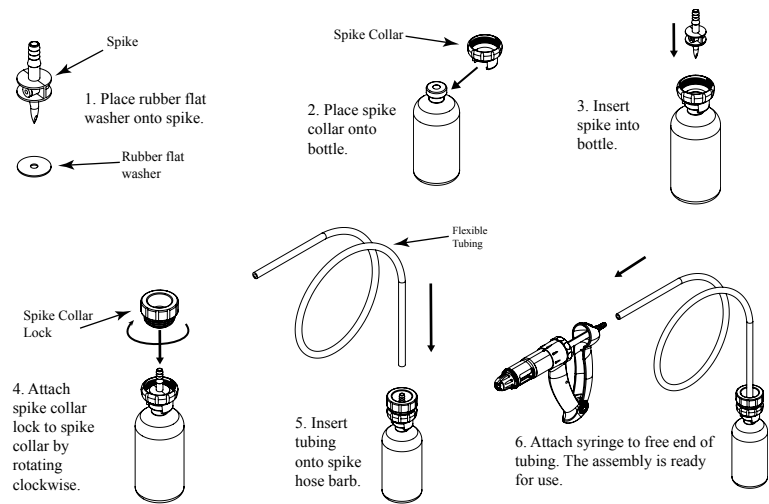
* Some injectors are equipped with remote draw-off spikes. If your unit has uni-locks, use the instructions in the next section. There are 3 sizes of draw-off spikes. There is a draw-off spike for 100ml/20mm bottles, 250ml/30mm and another for 250ml/33mm bottles. Find the size that fits the bottle you are using and attach it to the opposite end of the feed line.

- 1.) TO ATTACH BOTTLE:
 - A.) After piercing rubber stopper, hold bottle at base in one hand. Hold draw-off spike with the other.
 - B.) Align pierced rubber stopper with draw-off spike and press firmly together until draw-off cleats grip the bottle top, make sure that the hose-armor spring is pulled up to the draw-off spike. ***DO NOT TWIST BOTTLE!***

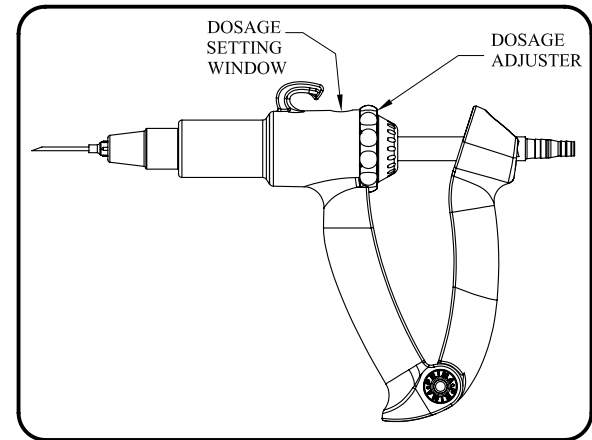


- 2.) TO REMOVE BOTTLE:
 - A.) Using the thumb and forefinger of one hand, squeeze the draw-off spike firmly.
 - B.) Using the other hand, grasp the bottle by the bottom and pull firmly out.

UNI-LOCK ASSEMBLY INSTRUCTIONS



Note: If the plunger disengages from the rear handle during tube installation or for any other reason, it is important to reinstall the plunger onto the handle in the original position. The larger of the hourglass shaped slots should be on the right side of the plunger. The plunger should be in the full rear position. Be careful not to force the plunger into position as this can cause the internal dosing steps to strip or tear.



TO PRIME INJECTOR:

- 1.) Remove protective cover from needle.
- 2.) Squeezing the handle slightly, set injector to the largest dosage amount as indicated in the dosage setting window by turning the dosage adjuster.
- 3.) Tip injector up at a slight angle, with the needle pointing up, so all bubbles float too the end of the barrel. The top of the vaccine bottle must be pointed downwards such as when hanging in a VAC-PAC carrier.
- 4.) Squeeze injector handle, then release quickly to draw fluid into the barrel.
- 5.) Remove any air bubbles from the barrel by repeating step 4 being careful not to waste fluid.